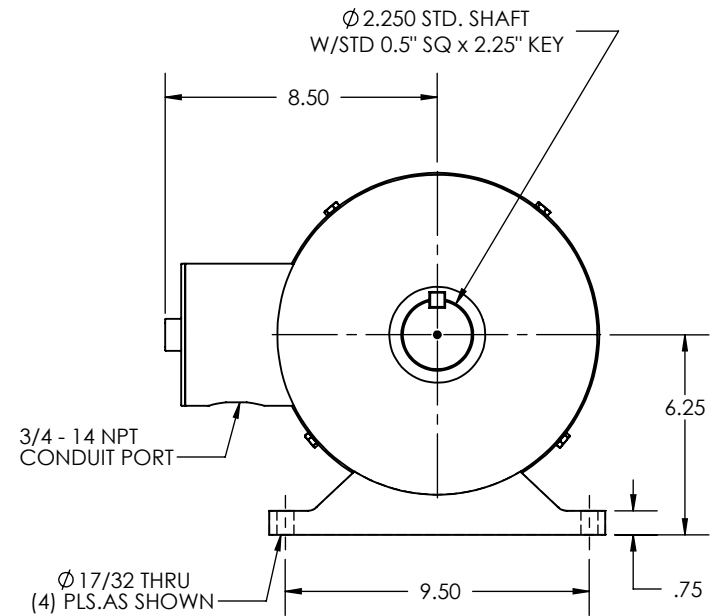
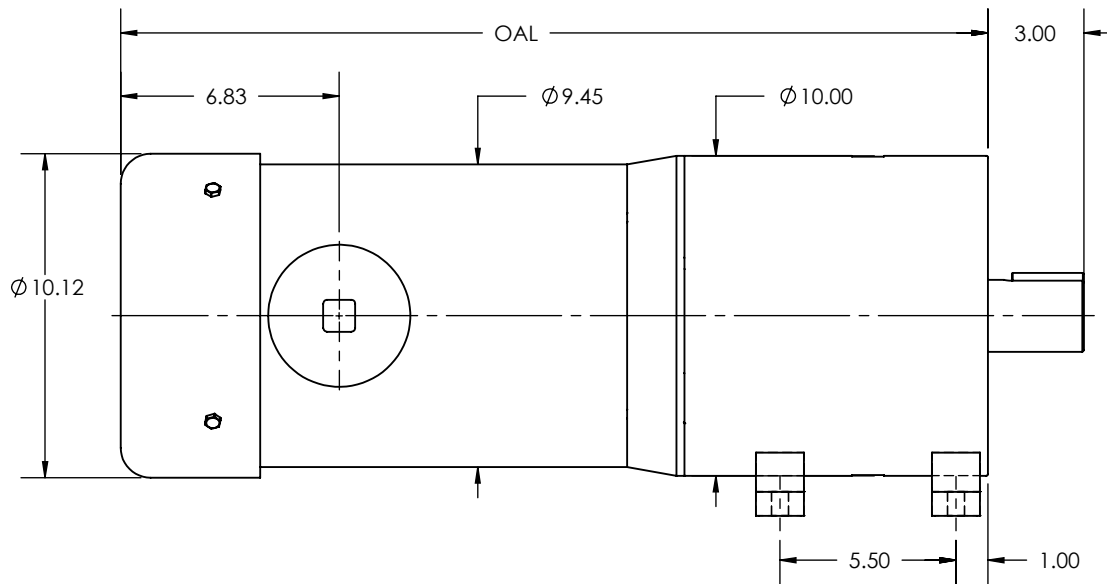


OAL DIMENSION		
RATIO	OUTPUT RPM	10 HP
3	580	27.10"
3.67	474	
4.2	414	
5	348	
9	193	30.42"
12.6	138	
15	116	
17.6	98	
21	82	
25	69	

REVISIONS			
REV.	DESCRIPTION	BY	DATE



- NOTES:
- OTHER SHAFT SIZES AVAILABLE
  - GREASE OR OIL LUBRICATION AVAILABLE
  - OTHER RATIOS AVAILABLE UPON REQUEST

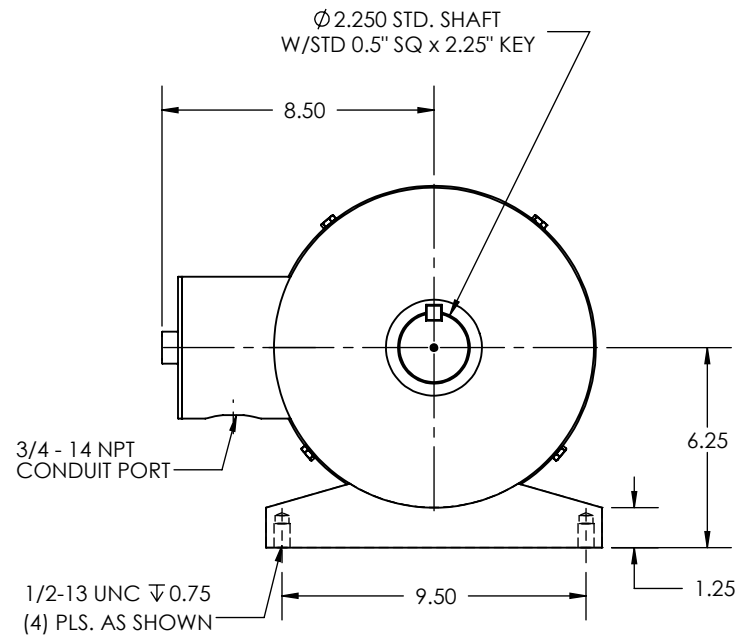
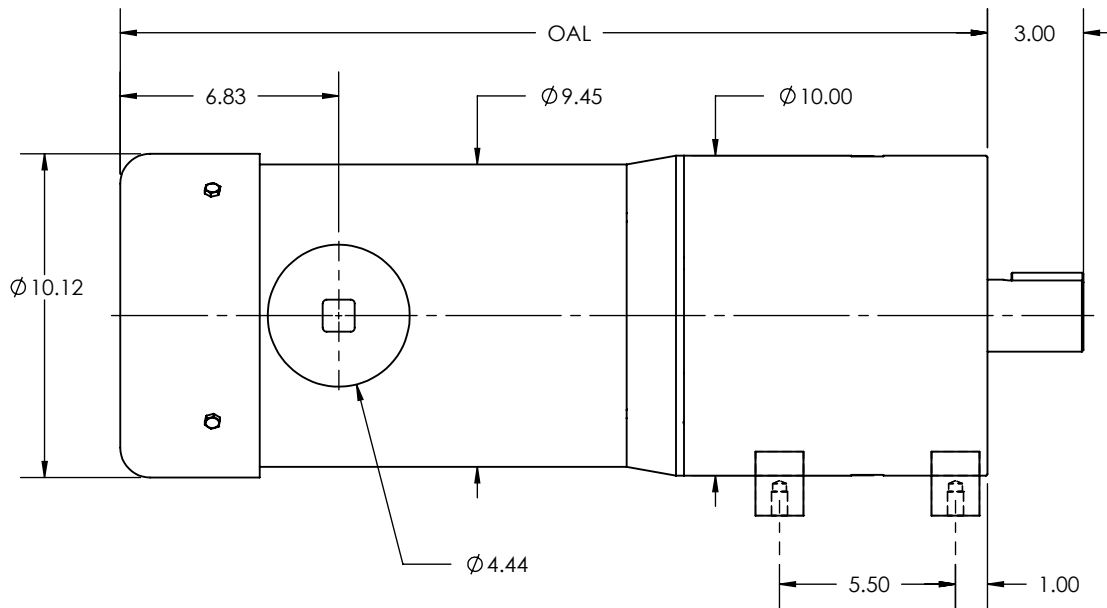
THIS DRAWING CONTAINS INFORMATION WHICH IS PROPRIETARY AND CONFIDENTIAL TO STAINLESS MOTORS, INC., AND IS TRANSMITTED IN CONFIDENCE. THE REPRODUCTION, USE OR DISCLOSURE, IN WHOLE OR IN PART, OF THE DESIGN CONTAINED HEREIN TO OTHERS IS PROHIBITED WITHOUT THE WRITTEN CONSENT OF STAINLESS MOTORS, INC.

© COPYRIGHT STAINLESS MOTORS, INC. ALL RIGHTS RESERVED. YEAR OF COPYRIGHT IS FIRST YEAR INDICATED ON THE DRAWING.

DO NOT SCALE DRAWING	MATERIAL: T304 EXTERIOR 17-4 H1150 SHAFT	<b>STAINLESS MOTORS INC.</b>	
UNLESS OTHERWISE SPECIFIED	FINISH: #4 LINE		
DIMENSIONS ARE IN INCHES DIMENSIONS AND SURFACE TEXTURE DESIGNATIONS APPLY PRIOR TO FINISH	GENERAL TOLERANCES: .X = +/- 0.015 .XX = +/- 0.010 .XXX = +/- 0.005	DRAWN: WJK CHECK: ENG: JO DATE: 1/28/2019	IL1000 FRAME FOOT MOUNT TEFC, THRU FOOTED SANIFAN
DEBURR AND BREAK ALL SHARP EDGES 0.005 - 0.015	FRACTIONAL = +/- 1/64 ANGULAR = +/- 1/2°	REFERENCE DRAWING: DRAWING F:\Website\GEARBOXES\IL\IL1000XXXTDXXX-210 NUMBER:	

OAL DIMENSION		
RATIO	OUTPUT RPM	10 HP
3	580	27.10"
3.67	474	
4.2	414	
5	348	
9	193	30.42"
12.6	138	
15	116	
17.6	98	
21	82	
25	69	

REVISIONS			
REV.	DESCRIPTION	BY	DATE



- NOTES:
- OTHER SHAFT SIZES AVAILABLE
  - GREASE OR OIL LUBRICATION AVAILABLE
  - OTHER RATIOS AVAILABLE UPON REQUEST

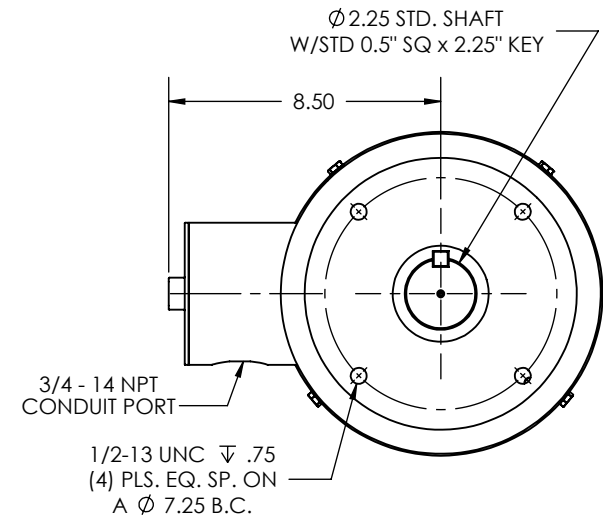
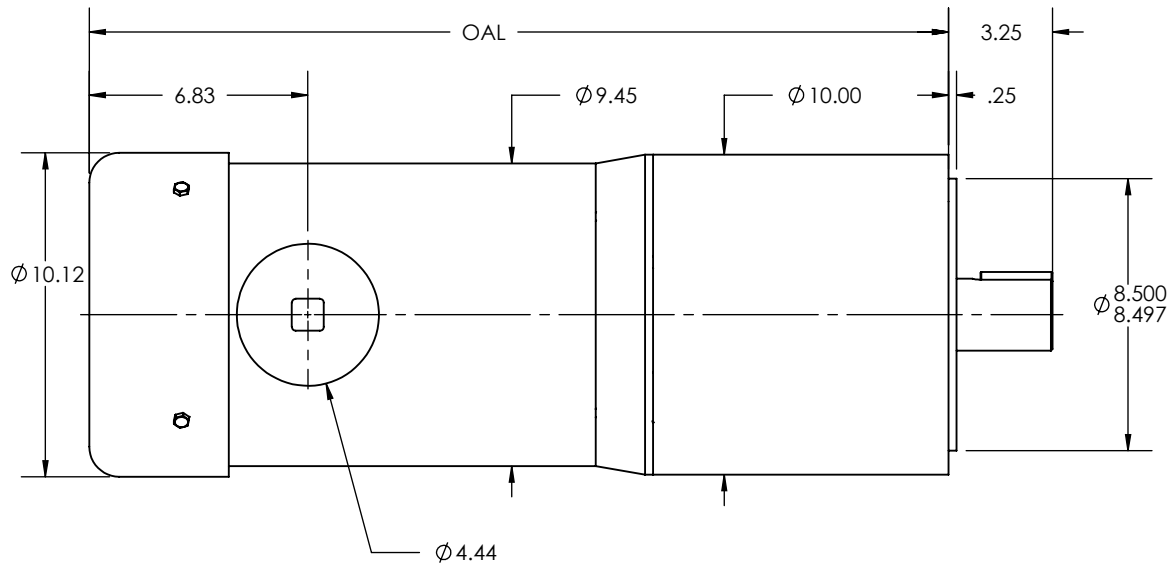
THIS DRAWING CONTAINS INFORMATION WHICH IS PROPRIETARY AND CONFIDENTIAL TO STAINLESS MOTORS, INC., AND IS TRANSMITTED IN CONFIDENCE. THE REPRODUCTION, USE OR DISCLOSURE, IN WHOLE OR IN PART, OF THE DESIGN CONTAINED HEREIN TO OTHERS IS PROHIBITED WITHOUT THE WRITTEN CONSENT OF STAINLESS MOTORS, INC.

© COPYRIGHT STAINLESS MOTORS, INC. ALL RIGHTS RESERVED. YEAR OF COPYRIGHT IS FIRST YEAR INDICATED ON THE DRAWING.

DO NOT SCALE DRAWING	MATERIAL: T304 EXTERIOR 17-4 H1150 SHAFT	<b>STAINLESS MOTORS INC.</b>	
UNLESS OTHERWISE SPECIFIED	FINISH: #4 LINE		
DIMENSIONS ARE IN INCHES	GENERAL TOLERANCES:	DRAWN: WJK	IL1000 FRAME FOOT MOUNT TEFC, BLIND FOOTED SANIFAN
DIMENSIONS AND SURFACE TEXTURE DESIGNATIONS APPLY PRIOR TO FINISH	.X = +/- 0.015 .XX = +/- 0.010 .XXX = +/- 0.005	CHECK:	
DEBURR AND BREAK ALL SHARP EDGES 0.005 - 0.015	FRACTIONAL = +/- 1/64 ANGULAR = +/- 1/2°	ENG: JO	
	REFERENCE DRAWING:	DATE: 1/28/2019	
	DRAWING F:\Website\GEARBOXES\IL\IL1000XXXBDXXX-210 NUMBER:		

OAL DIMENSION		
RATIO	OUTPUT RPM	10 HP
3	580	26.85"
3.67	474	
4.2	414	
5	348	
9	193	30.17"
12.6	138	
15	116	
17.6	98	
21	82	
25	69	

REVISIONS			
REV.	DESCRIPTION	BY	DATE



- NOTES:
- OTHER SHAFT SIZES AVAILABLE
  - GREASE OR OIL LUBRICATION AVAILABLE
  - OTHER RATIOS AVAILABLE UPON REQUEST

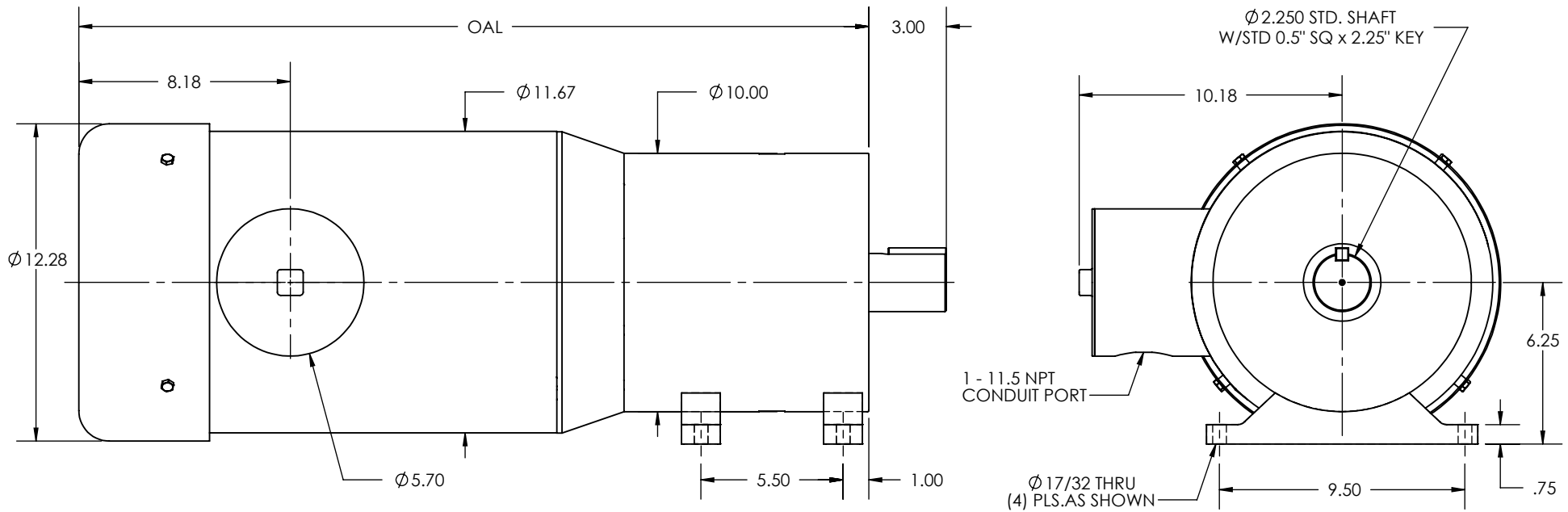
THIS DRAWING CONTAINS INFORMATION WHICH IS PROPRIETARY AND CONFIDENTIAL TO STAINLESS MOTORS, INC., AND IS TRANSMITTED IN CONFIDENCE. THE REPRODUCTION, USE OR DISCLOSURE, IN WHOLE OR IN PART, OF THE DESIGN CONTAINED HEREIN TO OTHERS IS PROHIBITED WITHOUT THE WRITTEN CONSENT OF STAINLESS MOTORS, INC.

© COPYRIGHT STAINLESS MOTORS, INC. ALL RIGHTS RESERVED. YEAR OF COPYRIGHT IS FIRST YEAR INDICATED ON THE DRAWING.

DO NOT SCALE DRAWING	MATERIAL: T304 EXTERIOR 17-4 H1150 SHAFT	<b>STAINLESS MOTORS INC.</b>	
UNLESS OTHERWISE SPECIFIED	FINISH: #4 LINE		
DIMENSIONS ARE IN INCHES DIMENSIONS AND SURFACE TEXTURE DESIGNATIONS APPLY PRIOR TO FINISH	GENERAL TOLERANCES: .X = +/- 0.015 .XX = +/- 0.010 .XXX = +/- 0.005	DRAWN: WJK	IL1000 FRAME C-FACE MOUNT TEFC, NON FOOTED SANIFAN
DEBURR AND BREAK ALL SHARP EDGES 0.005 - 0.015	FRACTIONAL = +/- 1/64 ANGULAR = +/- 1/2°	CHECK: JCO	
	REFERENCE DRAWING: DRAWING F:\Website\GEARBOXES\IL\IL1000XXCDXXX-210 NUMBER:	ENG: JCO	DATE: 1/28/2019

OAL DIMENSION			
RATIO	OUTPUT RPM	15 HP	20 HP
3	580	30.58"	32.08"
3.67	474		
4.2	414		
5	348		
9	193	33.90"	35.40"
12.6	138		
15	116		
17.6	98		
21	82		
25	69		

REVISIONS			
REV.	DESCRIPTION	BY	DATE



1. OTHER SHAFT SIZES AVAILABLE
2. GREASE OR OIL LUBRICATION AVAILABLE
3. OTHER RATIOS AVAILABLE UPON REQUEST

THIS DRAWING CONTAINS INFORMATION WHICH IS PROPRIETARY AND CONFIDENTIAL TO STAINLESS MOTORS, INC., AND IS TRANSMITTED IN CONFIDENCE. THE REPRODUCTION, USE OR DISCLOSURE, IN WHOLE OR IN PART, OF THE DESIGN CONTAINED HEREIN TO OTHERS IS PROHIBITED WITHOUT THE WRITTEN CONSENT OF STAINLESS MOTORS, INC.

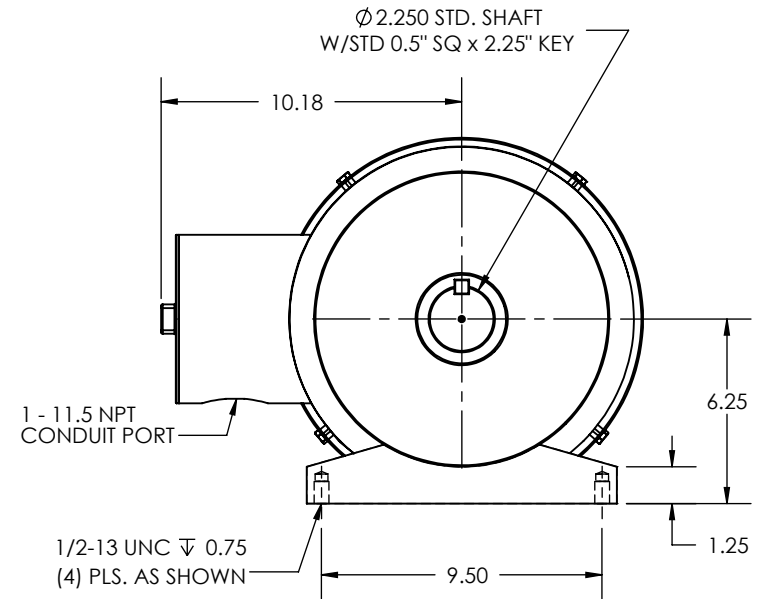
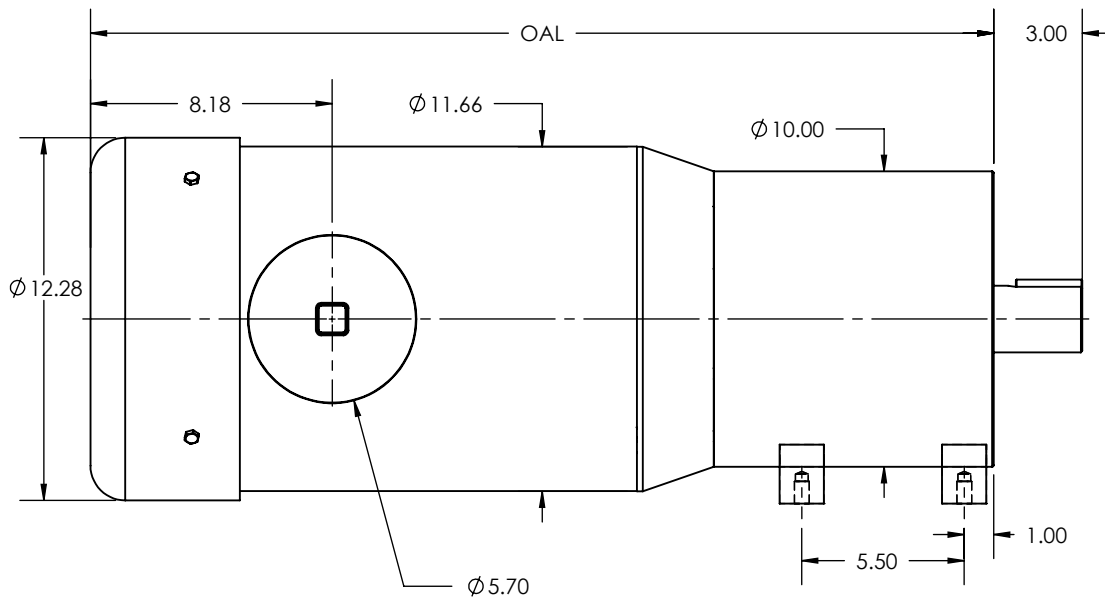
© COPYRIGHT STAINLESS MOTORS, INC. ALL RIGHTS RESERVED. YEAR OF COPYRIGHT IS FIRST YEAR INDICATED ON THE DRAWING.

DO NOT SCALE DRAWING	MATERIAL: T304 EXTERIOR 17-4 H1150 SHAFT	<b>STAINLESS MOTORS INC.</b>
UNLESS OTHERWISE SPECIFIED	FINISH: #4 LINE	
DIMENSIONS ARE IN INCHES DIMENSIONS AND SURFACE TEXTURE DESIGNATIONS APPLY PRIOR TO FINISH	GENERAL TOLERANCES: .X = +/-0.015 .XX = +/-0.010 .XXX = +/-0.005	DRAWN: WJK CHECK: JO ENG: JO DATE: 1/28/2019
DEBURR AND BREAK ALL SHARP EDGES 0.005 - 0.015	FRACTIONAL = +/- 1/64 ANGULAR = +/- 1/2°	IL1000 FRAME FOOT MOUNT TEFC, THRU FOOTED SANIFAN
REFERENCE DRAWING: DRAWING F:\Website\GEARBOXES\IL\IL1000XXXTDXXX-250 NUMBER:		

NOTES:

OAL DIMENSION			
RATIO	OUTPUT RPM	15 HP	20 HP
3	580	30.58"	32.08"
3.67	474		
4.2	414		
5	348		
9	193	33.90"	35.40"
12.6	138		
15	116		
17.6	98		
21	82		
25	69		

REVISIONS			
REV.	DESCRIPTION	BY	DATE



1. OTHER SHAFT SIZES AVAILABLE
2. GREASE OR OIL LUBRICATION AVAILABLE
3. OTHER RATIOS AVAILABLE UPON REQUEST

THIS DRAWING CONTAINS INFORMATION WHICH IS PROPRIETARY AND CONFIDENTIAL TO STAINLESS MOTORS, INC. AND IS TRANSMITTED IN CONFIDENCE. THE REPRODUCTION, USE OR DISCLOSURE, IN WHOLE OR IN PART, OF THE DESIGN CONTAINED HEREIN TO OTHERS IS PROHIBITED WITHOUT THE WRITTEN CONSENT OF STAINLESS MOTORS, INC.

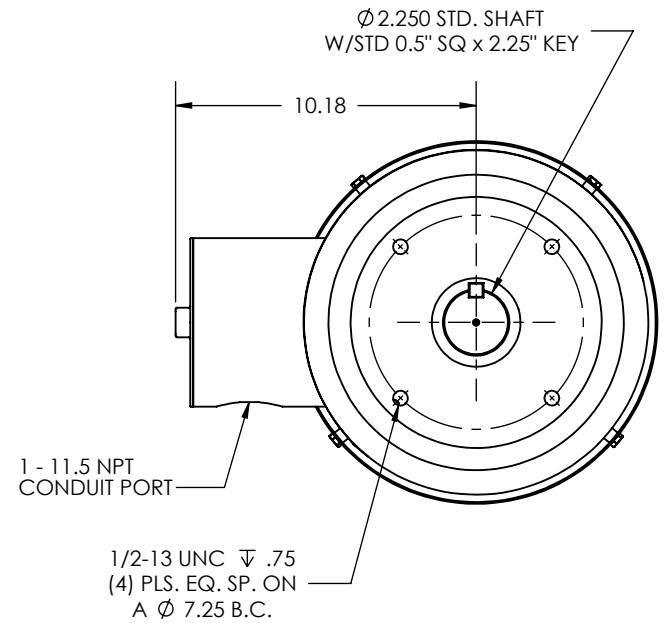
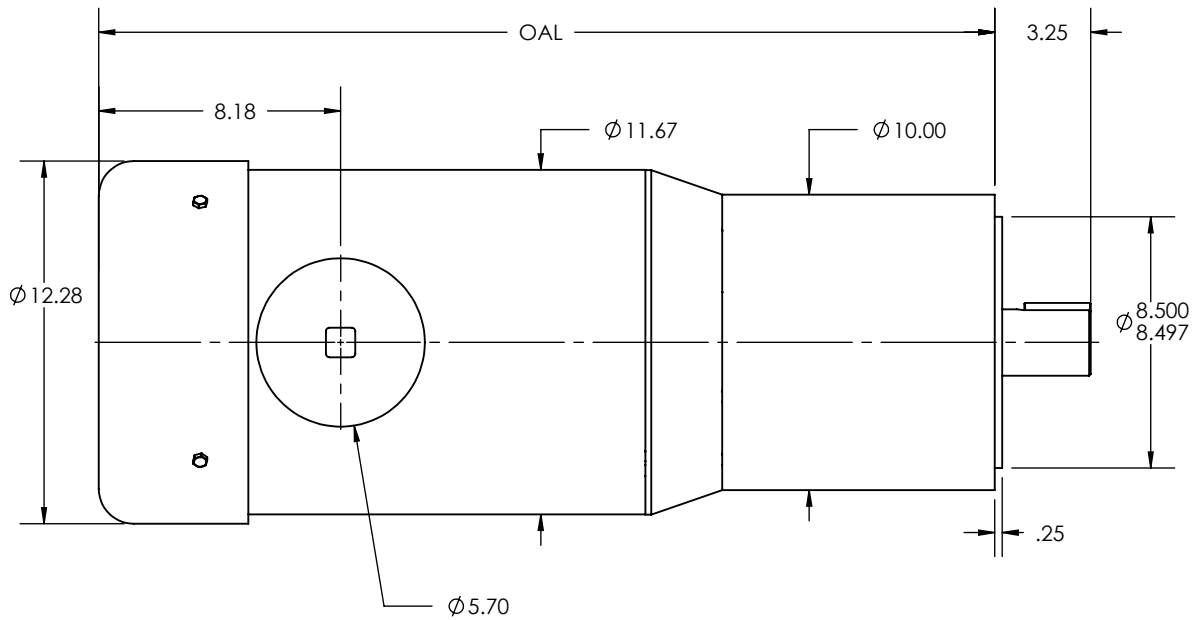
© COPYRIGHT STAINLESS MOTORS, INC. ALL RIGHTS RESERVED. YEAR OF COPYRIGHT IS FIRST YEAR INDICATED ON THE DRAWING.

DO NOT SCALE DRAWING	MATERIAL: T304 EXTERIOR 17-4 H1150 SHAFT	<b>STAINLESS MOTORS INC.</b>
UNLESS OTHERWISE SPECIFIED	FINISH: #4 LINE	
DIMENSIONS ARE IN INCHES DIMENSIONS AND SURFACE TEXTURE DESIGNATIONS APPLY PRIOR TO FINISH	GENERAL TOLERANCES: .X = +/-0.015 .XX = +/-0.010 .XXX = +/-0.005	DRAWN: WJK
DEBURR AND BREAK ALL SHARP EDGES 0.005 - 0.015	FRACTIONAL = +/- 1/64 ANGULAR = +/- 1/2°	CHECK: JO
REFERENCE DRAWING: F:\Website\GEARBOXES\IL\IL1000XXBDXXX-250		DATE: 1/28/2019
		IL1000 FRAME FOOT MOUNT TEFC, BLIND FOOTED SANIFAN

NOTES:

OAL DIMENSION			
RATIO	OUTPUT RPM	15 HP	20 HP
3	580	30.33"	31.83"
3.67	474		
4.2	414		
5	348		
9	193	33.65"	35.15"
12.6	138		
15	116		
17.6	98		
21	82		
25	69		

REVISIONS			
REV.	DESCRIPTION	BY	DATE



- OTHER SHAFT SIZES AVAILABLE
- GREASE OR OIL LUBRICATION AVAILABLE
- OTHER RATIOS AVAILABLE UPON REQUEST

THIS DRAWING CONTAINS INFORMATION WHICH IS PROPRIETARY AND CONFIDENTIAL TO STAINLESS MOTORS, INC., AND IS TRANSMITTED IN CONFIDENCE. THE REPRODUCTION, USE OR DISCLOSURE, IN WHOLE OR IN PART, OF THE DESIGN CONTAINED HEREIN TO OTHERS IS PROHIBITED WITHOUT THE WRITTEN CONSENT OF STAINLESS MOTORS, INC.

© COPYRIGHT STAINLESS MOTORS, INC. ALL RIGHTS RESERVED. YEAR OF COPYRIGHT IS FIRST YEAR INDICATED ON THE DRAWING.

DO NOT SCALE DRAWING	MATERIAL: T304 EXTERIOR 17-4 H1150 SHAFT	<b>STAINLESS MOTORS INC.</b>
UNLESS OTHERWISE SPECIFIED	FINISH: #4 LINE	
DIMENSIONS ARE IN INCHES DIMENSIONS AND SURFACE TEXTURE DESIGNATIONS APPLY PRIOR TO FINISH	GENERAL TOLERANCES: .X = +/- 0.015 .XX = +/- 0.010 .XXX = +/- 0.005	DRAWN: WJK CHECK: ENG: JO DATE: 1/28/2019
DEBURR AND BREAK ALL SHARP EDGES 0.005 - 0.015	FRACTIONAL = +/- 1/64 ANGULAR = +/- 1/2°	IL1000 FRAME C-FACE MOUNT TEFC, NON FOOTED SANIFAN
REFERENCE DRAWING: DRAWING F:\Website\GEARBOXES\IL\IL1000XXXCEXXX-250 NUMBER:		

NOTES: